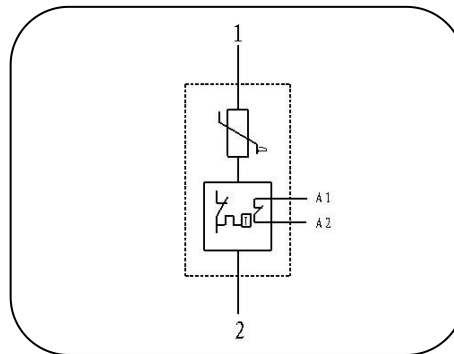
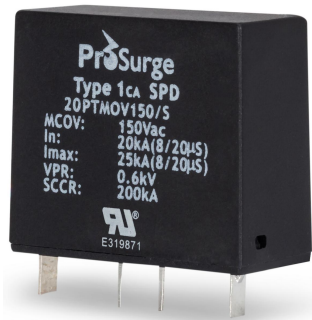


POWER SUPPLY SYSTEM

MODULAR THERMALLY PROTECTED MOV

20PTMOV



Circuit diagram

Technical Features

UL1449 4th Type 1ca surge suppressor with thermal protection designed to open in the event of overheating due to an abnormal over-voltage or temporary over voltage (TOV) and will interrupt any abnormal current that may be encountered.

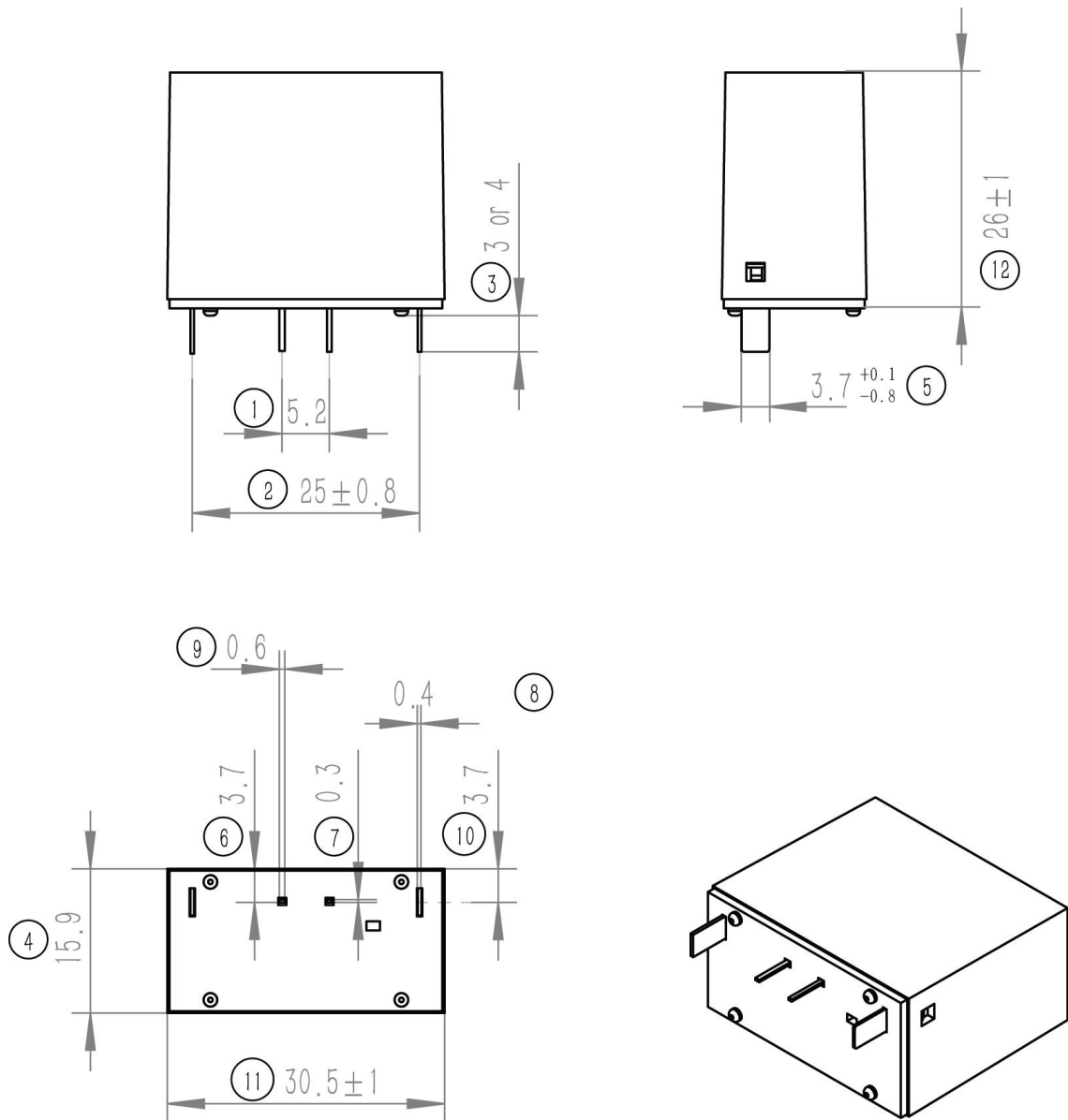
- UL1449 4th approved for Type1CA, UL File No. E319871, CSA for Type 2CA, compliant with IEC/EN 61643-1/11 standard
- PCB mounting design, compatible with reflow and wave soldering procedure
- Compact size to save installation space
- Quick thermal response and perfect circuit cutoff function due to special thermal disconnecter design with internal arc extinguishing device(Patented)
- Higher nominal discharge current up to 20kA (8/20µs) and discharge capacity up to 25kA 8/20µs
- SCCR up to 200kArms without external fuse or CB
- Floating remote signaling contact (50mA, 12Vdc) for fault indication
- Wide operating temperature range and high reliability
- Application in the AC mains, service entrance, and heavy industrial etc

| Type | 20PTMOVxxx/S | | |
|--|---|---------------|-------------|
| | 150 | 180 | 320 |
| In accordance with | ANSI/UL1449-4th: IEC61643-11:2012 | | |
| Category | Type 1ca per UL 1449 4th Type 2ca per CSA | | |
| Thermal disconnecter (patented) | Internal thermal disconnecter & arc extinguishing | | |
| Max. Continuous operating voltage (AC/DC) MCOV | 150V /200V | 180V /230V | 320 /410 |
| Nominal discharge current(8/20) In x 15 times | 20kA | | |
| Max. Discharge current(8/20) Imax x 1 time | 25kA | | |
| Voltage protection level VPR | ≤0.6kV | ≤0.8kV | ≤1.0kV |
| Response time | ≤25 ns | | |
| Operating temperature range | - 40°C ~ + 80°C | | |
| Enclosure material | Thermoplastic; extinguishing degree UL94 V-0 | | |
| Insulation resistance | ≥10 MOhm | | |
| Electric strength | ≥2500V | | |
| Remote alarm contact | Switching isolation, Open: failure; Close: normal, Rating:0.1A,12Vdc (max) | | |
| Short circuit current rating SCCR | 200kA | | |
| Approvals, certifications | UL CE | | |

POWER SUPPLY SYSTEM

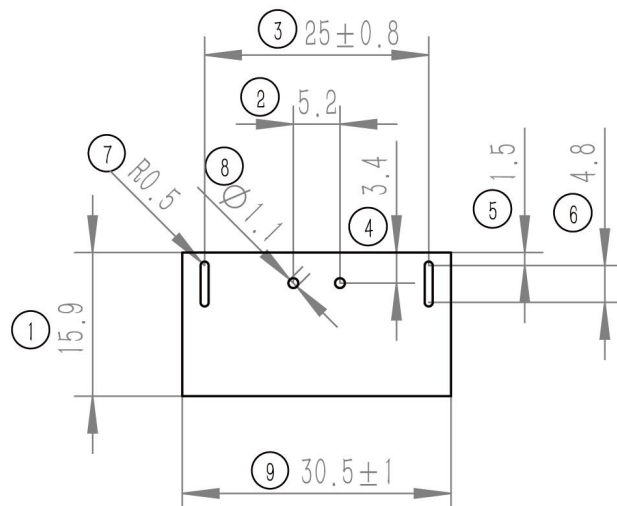
Dimension drawing (mm)

Tolerance without $\pm 0.5\text{mm}$



PCB Layout Dimensions: (mm)

Tolerance without $\pm 0.5\text{mm}$



RECOMMENDED SOLDERING PROFILES

